

## IMPORTANT INFORMATION



### **READ THIS DATASHEET BEFORE ATTEMPTING TO INSTALL THE DEVICE**

Read the contents of the datasheet before installation. Failure to follow the recommendations in the datasheet and other requirements of diligence appropriate to the nature of the equipment may: prove hazardous to life/health, cause damage to the equipment or the installation to which it is connected, result in damage to other property, or violate other applicable regulations. The manufacturer of the equipment, Yacht Concept sp. z o.o., assumes no liability for damages (property and non-property) resulting from installation and/or use of the equipment not in accordance with the datasheet and/or due care in handling the equipment in question.



### **WATCH THE PARAMETERS**

The device's power supply, permissible load or other characteristic parameters must comply with the device's specifications.



### **DO NOT MODIFY**

Do not modify this device in any way not included in this datasheet.



### **OTHER DEVICES**

The manufacturer, Yacht Concept sp. z o.o. will not be held responsible for any damage or loss of warranty privileges for other connected devices if the connection is not compliant with their datasheets.



### **TECHNICAL SUPPORT**

If you have any technical questions or comments on the operation of the device, contact Yacht Concept technical support.



### **NOT A TOY**

The product is not intended for children or pets.



## TECHNICAL DATA

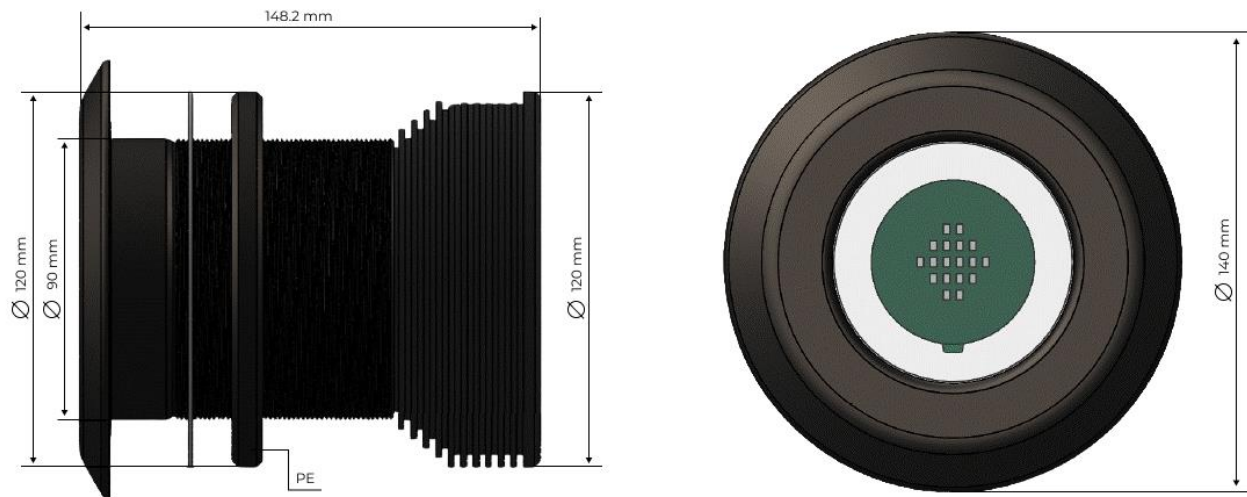
Type of LED:	XLamp® Element G LEDs
Life length:	60 000h
Lumens:	RED 800lm GREEN 1600lm BLUE 440lm WHITE 1900lm
Color:	RGBW
Casing material:	Black anodized aircraft aluminum 2024 (PA7)
Power supply:	20-30VDC, 80W
Weight:	2.8 kg
Code:	YC-LO-UWL-RGBW

## COMPLIANCE WITH DIRECTIVES

Directive GPS 2001/95/WE  
Directive EMC 2014/30/UE  
Directive RED 2014/53/UE  
Directive RoHS 2011/65/UE  
Directive RoHS 2018/736



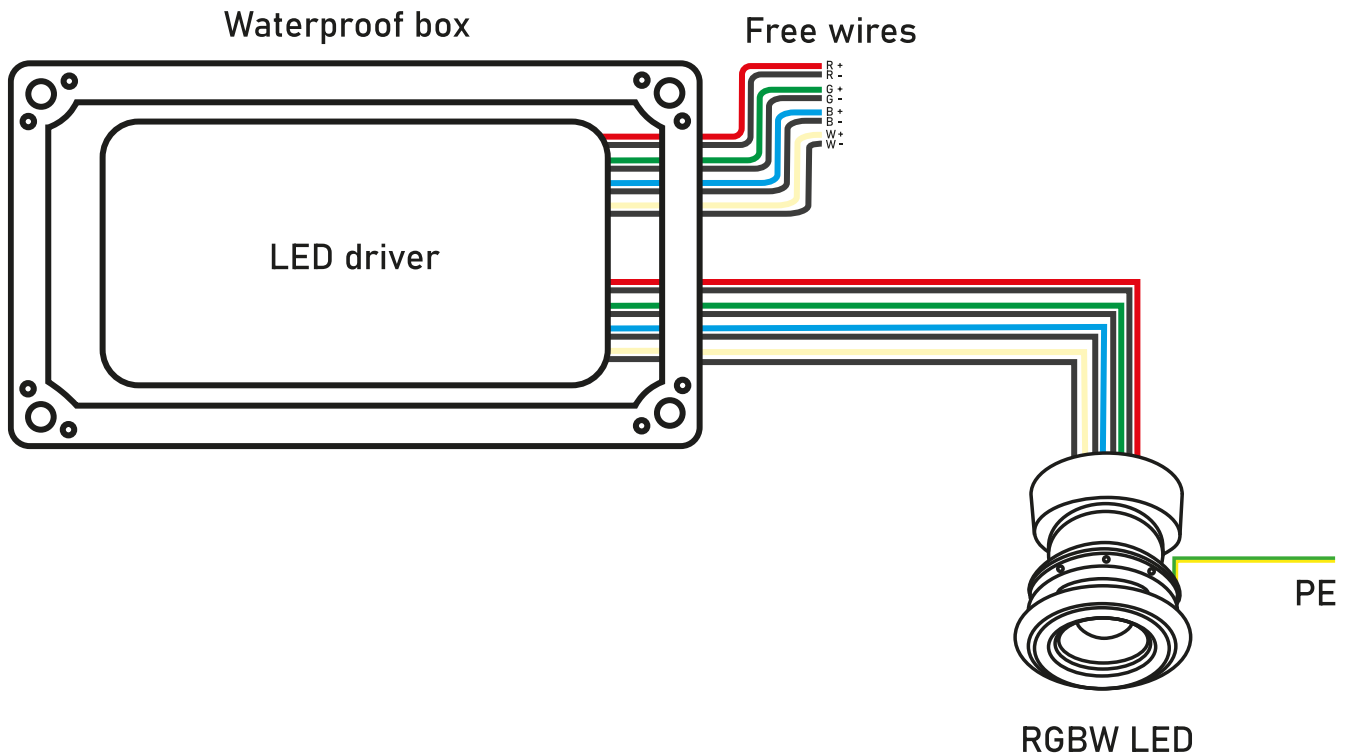
## TECHNICAL DRAWINGS



PE diameter minimum 1mm<sup>2</sup>

Cutout size: 92mm

## INSTALLATION DRAWINGS



Type of wire: Helukabel TRONIC (LiYY)

DIN VDE 0482-332-1-2

DIN EN 60332-1-2

IEC 60332-1

Gauge: 8 x 0,5mm<sup>2</sup>

WIRES MUST BE INSTALLED INSIDE THE WATERPROOF BOX!